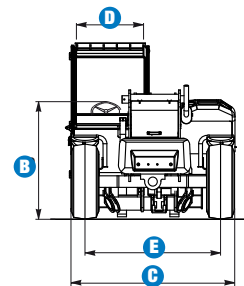
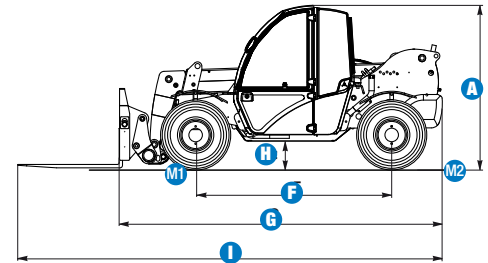


Specifications

MODEL	GTH™-2506	
MEASUREMENTS	Metric	US
Lifting height maximum	5.79 m	19 ft
Lifting capacity maximum	2,500 kg	5,511 lbs
Lift capacity at maximum height	1,800 kg	3,968 lbs
Lift capacity at maximum reach	800 kg	1,764 lbs
Forward reach maximum	3.35 m	11 ft
Reach at maximum height	0.60 m	2 ft
A Height	1.92 m	6 ft 4 in
B Height at steering wheel	1.25 m	4 ft 1 in
C Width	1.81 m	5 ft 11 in
D Inside cab width	0.75 m	2 ft 6 in
E Track	1.50 m	4 ft 11 in
F Wheelbase	2.32 m	7 ft 7 in
G Length at fork-holder plate	3.98 m	13 ft 1 in
H Ground clearance	0.33 m	1 ft 1 in
I Overall length	5.18 m	17 ft
M1 Obstruction angle	90°	90°
M2 Departure angle	70°	70°

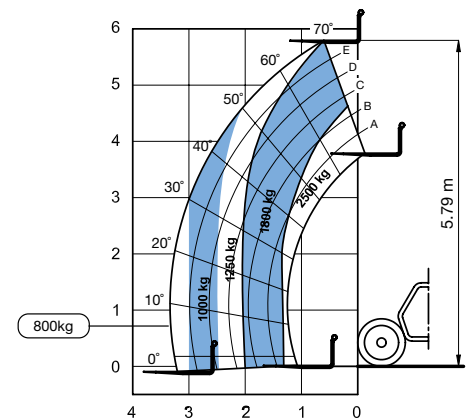


PRODUCTIVITY		
Inside/outside turning radius	1.70 m/3.35 m	5 ft 7 in / 11 ft
Lifting/lowering speed	10 / 8 sec	10 / 8 sec
Extension/retraction speed	9 / 7 sec	9 / 7 sec
Break-out force	3,700 kg	8,157 lbs
Drawbar pull	4,230 kg	9,325 lbs
Drive speed	24 km/h	15 mph
Fork-holder plate rotation	130°	130°
Floating forks	L 1200 mm Section 100 x 40 mm	L 3 ft 11 in Section 4 in x 1.6 in
Tyres (DIN 70361)	12-16.5" PR10 8-hole wheel rim	

POWER		
Engine	Deutz TD 2011 L04 Turbo diesel 68 kW (91 hp), Tier 3	
Tank capacities		
Fuel	60 L	15.9 gal
Engine oil	10 L	2.6 gal
Hydraulic oil	65 L	15.9 gal
Hydraulic output/pressure	70 L/min – 270 bar	18.5 gal/min – 3,916 psi

WEIGHT		
Weight*	5,360 kg	11,817 lbs

STANDARDS COMPLIANCE AS 1418.19, EN 1459, Operating cab conforms to ISO3471 (ROPS) and ISO3449 (FOPS), Low emission engine conforms to UE 97/68 directives



Lift capacity chart with floating forks (L 1200 mm-section 100 x 40 mm)****

* Weight will vary depending on options and/or country standards
 **** Load ratings vary depending on attachment

Features

STANDARD FEATURES

MEASUREMENTS

- 2,500 kg (5,511 lbs) maximum lift capacity
- 5.79 m (19 ft) maximum lift height
- 3.35 m (11 ft) maximum forward reach

PRODUCTIVITY

- 4WD
- Four wheel steer
- Three steering modes:
 - Front wheel steer
 - Crab steer
 - Coordinated steer
- Power assisted steering
- Hall effect electrical joystick
- Limited slip differential on front axle
- Floating forks
- Quick coupling of attachments from cab
- Adjustable suspended seat
- Large diameter steering wheel
- Front windscreen wipers
- Front and rear lights
- Side-mounted engine for easy access to components
- Oil immersed multi-disc brakes on front axle
- Lockable fuel tank
- Windshield protection grid
- Load Management System (LMS) with:
 - Visible display with coloured LEDs
 - Audible alarm
 - Automatic lock-out of boom extension, lifting and lowering
- Control enable switch

POWER

- Deutz Turbo diesel 68 kW (91 hp), Tier 3

TYRES

- 12-16.5" tyres

OPTIONS & ACCESSORIES

PRODUCTIVITY

- Hydraulic inching
- Air conditioning
- Additional armrest
- Adjustable spotlight
- Spare wheel
- AM/FM radio with CD player

ATTACHMENT OPTIONS

Genie has a large range of attachments available. Please contact Genie or your nearest Genie telehandler dealer.



Genie Australia – Toll free number 1800 788 633

Brisbane (Head Office)
33 Kimberley Street
Darra QLD 4076

Sydney
74 Glendenning Road
Glendenning NSW 2761

Melbourne
374 Hammond Road
Dandenong VIC 3175

Perth
126 Sheffield Road
Welshpool WA 6106

Genie United States Distributed by:

18340 NE 76th Street
P.O. Box 97030
Redmond, Washington
98073-9730

Effective Date: April 2012. Product specifications and prices are subject to change without notice or obligation. The photographs and/or drawings in this document are for illustrative purposes only. Refer to the appropriate Operators' Manual for instructions on the proper use of this equipment. Failure to follow the Operators Manual when using our equipment or to otherwise act irresponsibly may result in serious injury or death. The only warranty applicable to our equipment is the standard written warranty applicable to the particular product and sale and we make no other warranty, express or implied. Products and services listed may be trademarks, service marks, or trade names of Terex Corporation, Terex South Dakota, Inc., and/or their subsidiaries in the USA and other countries. All rights reserved. Terex is a registered trademark of Terex Corporation in the USA and many other countries. Genie is a registered trademark of Terex South Dakota, Inc. in the USA and many other countries. ©2009 Terex Corporation.